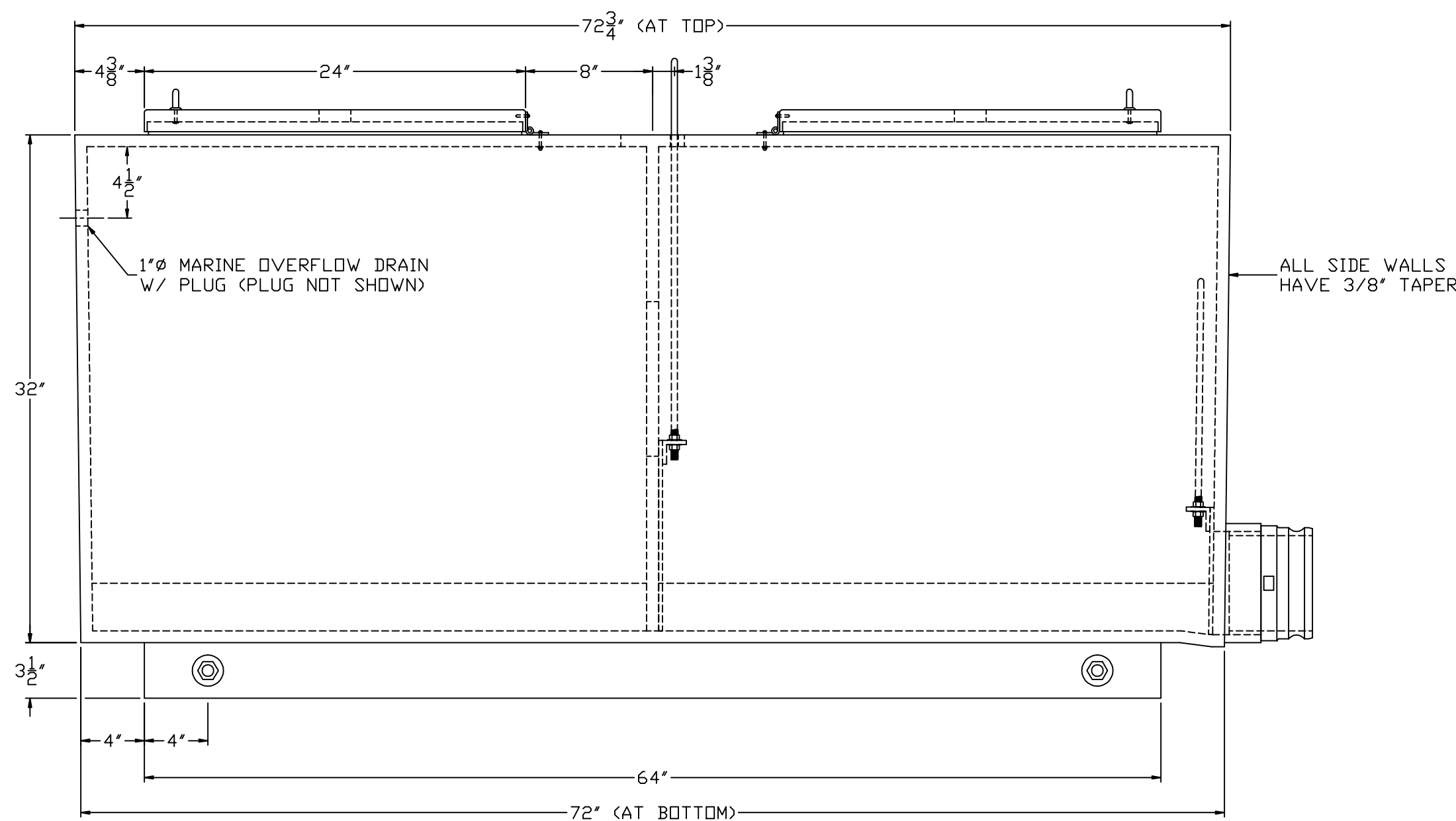
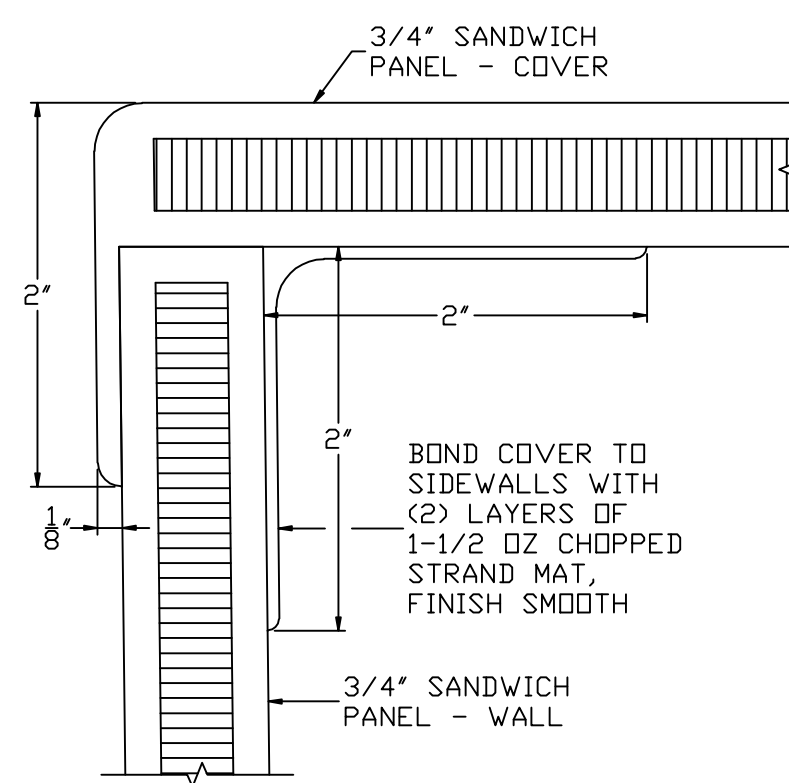


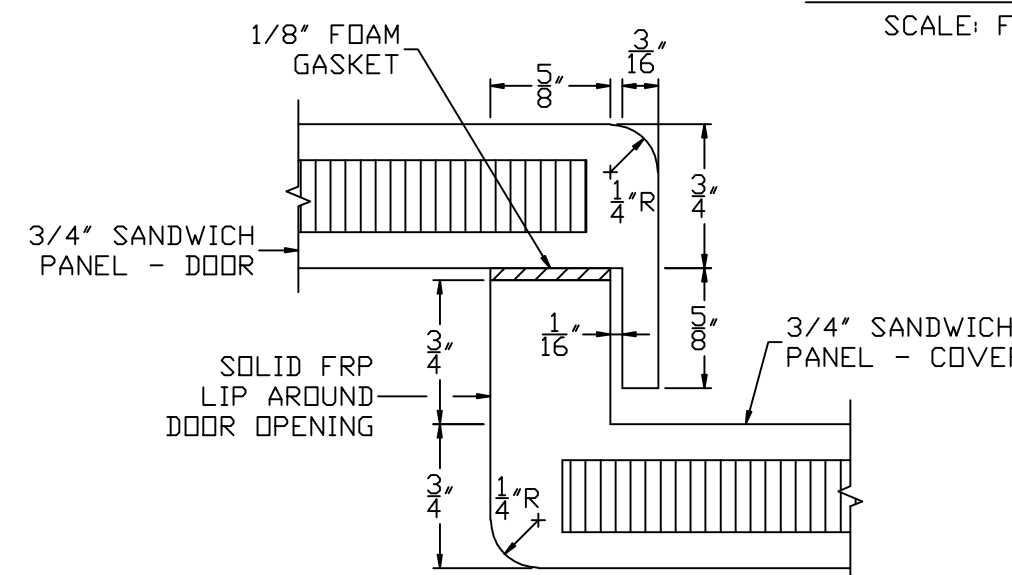
TOP VIEW
SCALE: 1-1/2"=1'



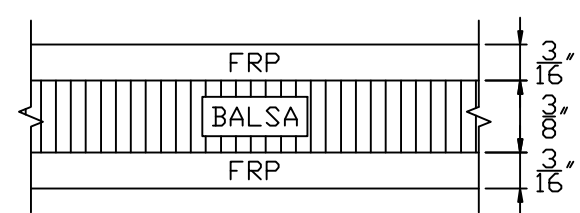
SIDE VIEW
SCALE: 1-1/2"=1'



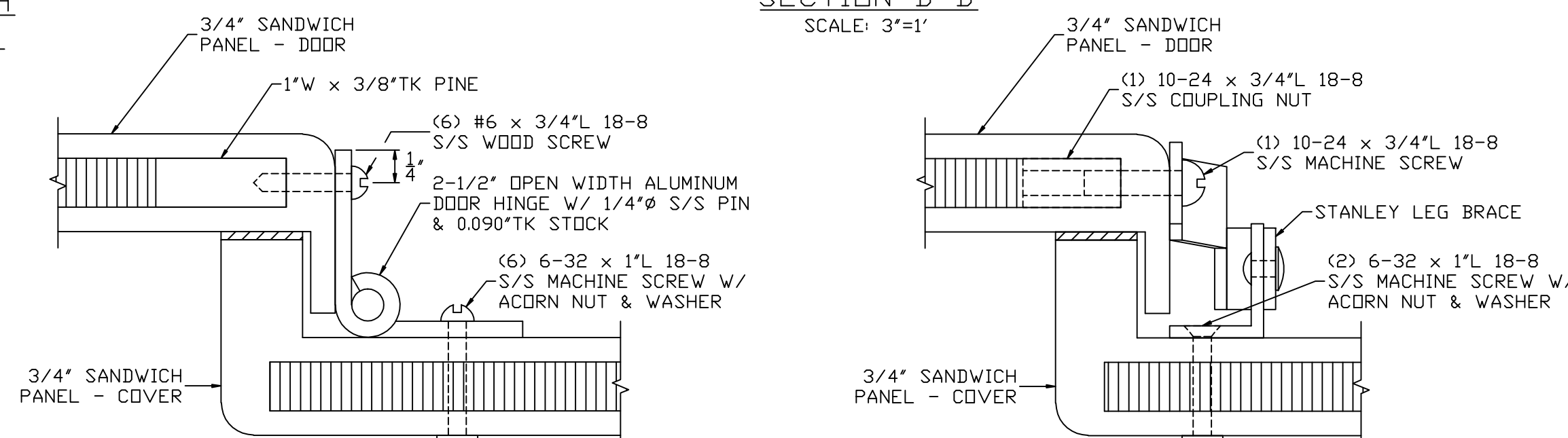
COVER TO WALL
CONNECTION DETAIL
SCALE: FULL



DOOR FRAME DETAIL
SCALE: FULL

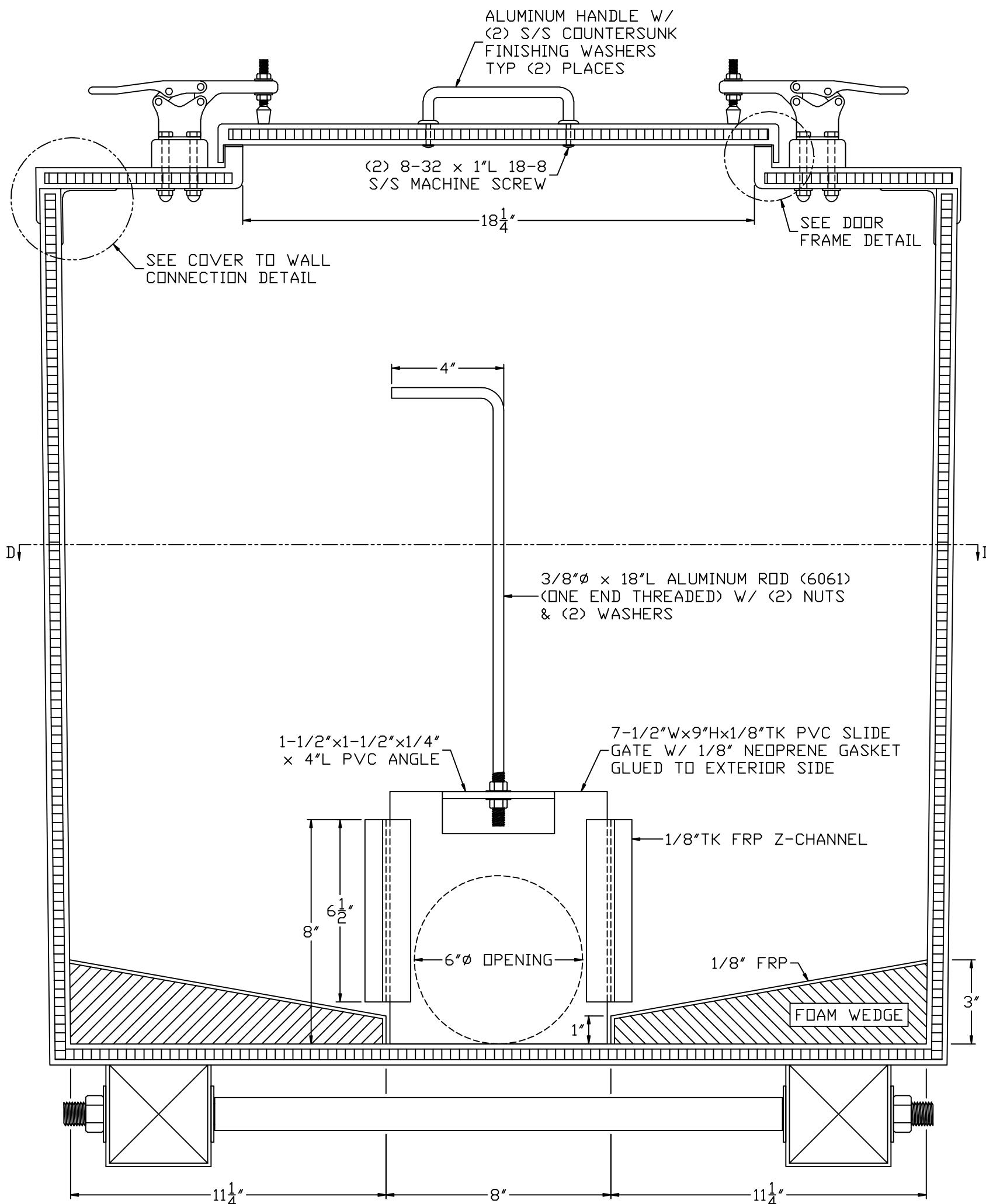


3/4" SANDWICH
PANEL DETAIL
SCALE: FULL

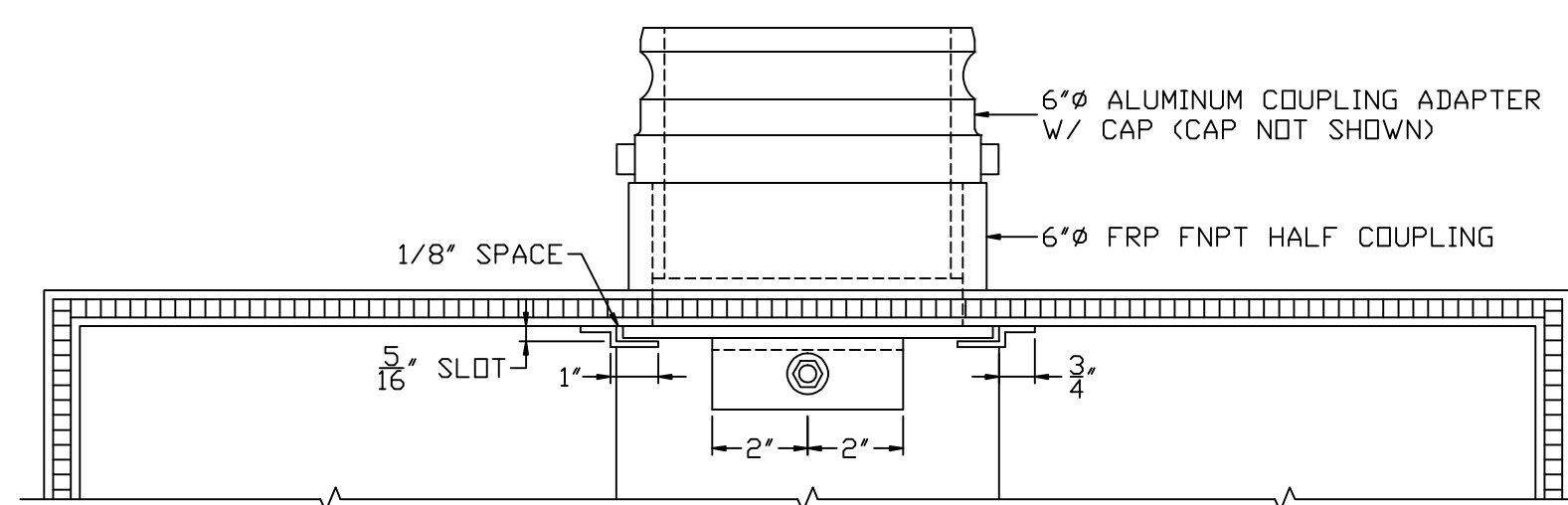


SECTION E-E
DOOR HINGE DETAIL
SCALE: FULL

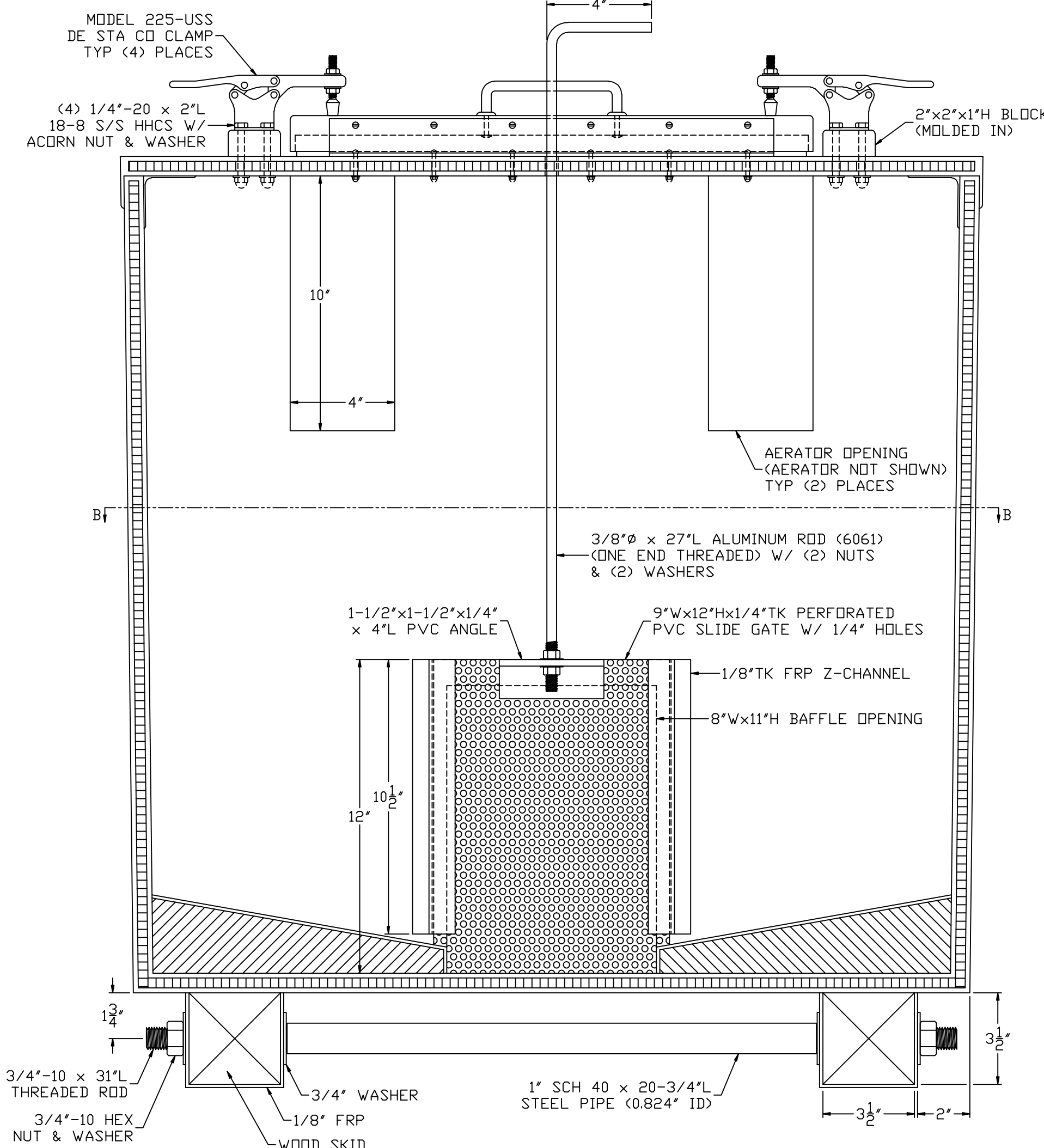
SECTION F-F
LEG BRACE DETAIL
SCALE: FULL



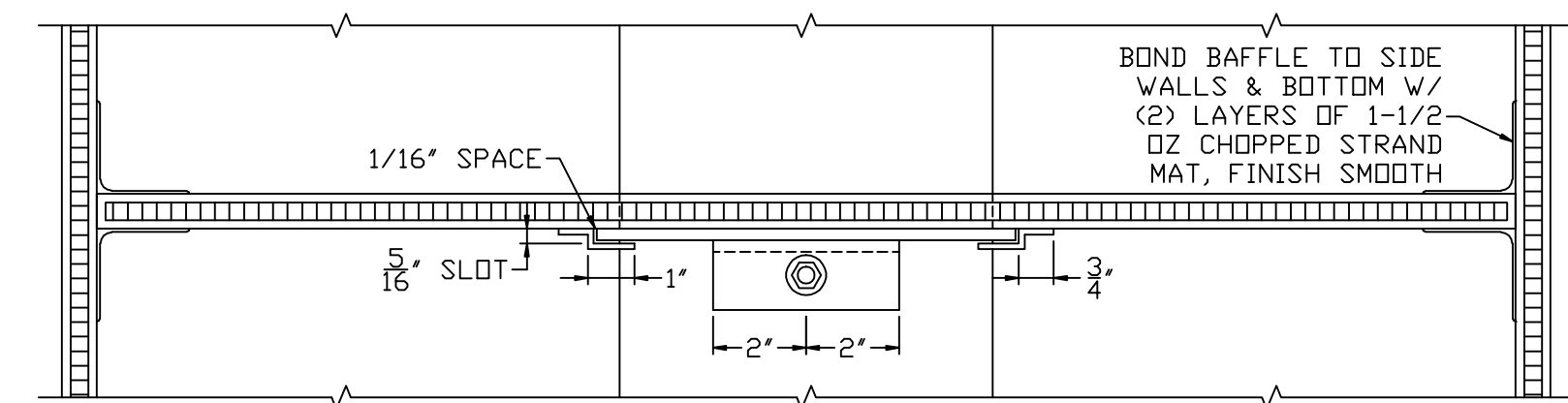
SECTION C-C
SCALE: 3"=1'



SECTION D-D
SCALE: 3"=1'



SECTION A-A
SCALE: 3"=1'



SECTION B-B
SCALE: 3"=1'

- NOTES:
1) RESIN GENERAL PURPOSE.
2) COLOR: AQUA INTERIOR, WHITE EXTERIOR.
3) ENTIRE UNIT TO MEET NBS VOLUNTARY PRODUCT STANDARD PS 15-69.
4) ALL SIDE WALLS, BAFFLE, BOTTOM, COVER & DOORS TO BE 3/4" SANDWICH PANEL CONSTRUCTION. SEE DETAIL.
5) ALL OPENINGS IN TANK (EXCEPT SCREW HOLES) TO BE MOLDED IN PLACE. ALL SCREW HOLES TO BE SEALED W/ SILICONE.
6) AERATORS NOT SHOWN. (2) MODEL 9A SPECIAL 10-1/2" BASKET AERATORS TO BE PROVIDED AND INSTALLED.

NOTE: THE INFORMATION CONTAINED HEREIN IS OF A CONFIDENTIAL NATURE AND IS THE PROPERTY OF EMPIRE FIBREGLASS PRODUCTS, INC. LITTLE FALLS, NY 13365 USA AND SHALL NOT BE TRACED, PHOTOGRAPHED OR REPRODUCED IN ANY MANNER WHATSOEVER, NOR USED FOR ANY PURPOSE OTHER THAN FOR WHICH IT IS SPECIFICALLY FURNISHED EXCEPT BY WRITTEN PERMISSION OF EMPIRE FIBREGLASS PRODUCTS, INC.

REV	DATE	REVISION

EMPIRE FIBREGLASS PRODUCTS, INC.
PO BOX 1006, RIVERSIDE INDUSTRIAL PARK
LITTLE FALLS, NEW YORK 13365
PH: 1-800-547-8825 FAX: (315) 823-0691

FOR:

SERVICE:
8' LONG x 2' 8" WIDE x 2' 8" HIGH FRP
FISH TRANSPORT TANK - MODEL 230

DATE: 04/19/01
DATE: 04/19/01
DATE: 04/19/01

DWG: JTS
TRB
D
O

PROJCT:
REV: 0
DRAWING NO:
FTT-230

SCALE:
AS SHOWN